

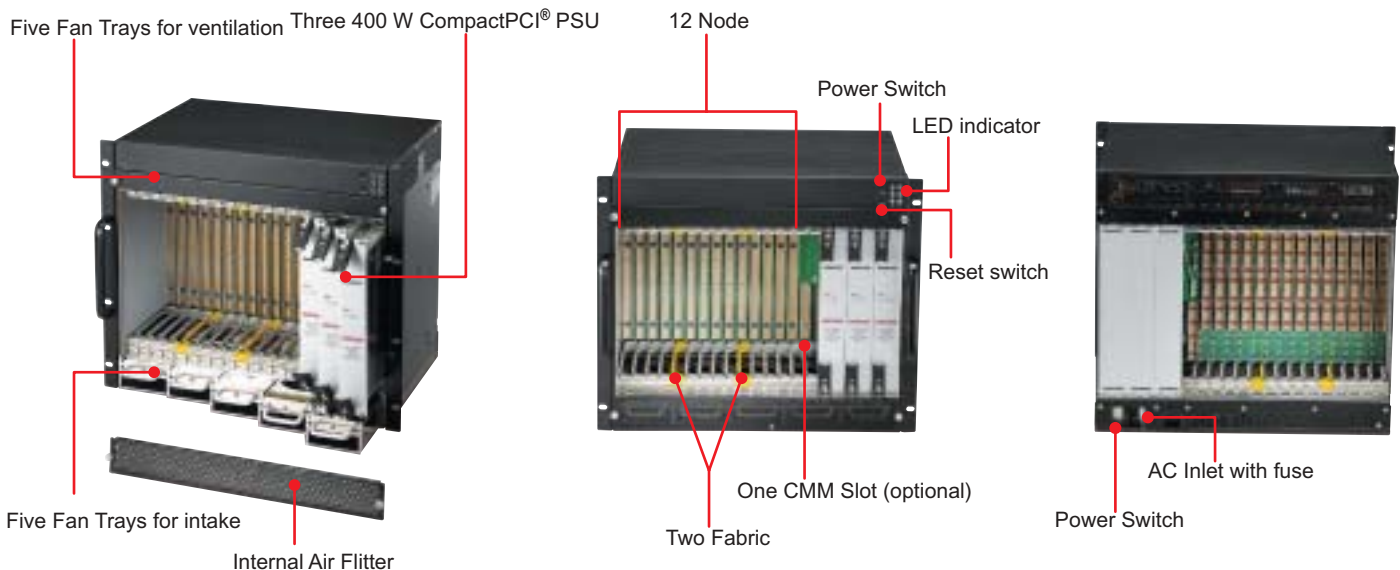
cPCIS-3300BLS Series

9U Blade Server for 12 Blades with Dual-Fabric Switch Slots



Features

- PICMG® 2.16 Packet Switching Backplane architecture
- Dual PICMG® 2.16 fabric slots for high availability
- 21 slots, including 12 node slots, two fabric slots, three redundant 6U CompactPCI® power modules and one CMM slot
- Hot swappable 800 W + 400 W redundant CompactPCI® power supply with universal AC input
- PICMG® 2.9 compliant backplane with FAL#, DEG# sense and INH# control for each power module
- Optional Chassis Monitoring Module (CMM) for remote monitoring and controlling via Ethernet
- Redundant cooling architecture
- Magnetic circuit breaker protection for AC-input



cPCIS-3300BLS Series

9U Blade Server for 12 Blades with Dual-Fabric Switch Slots

Specifications

Enclosure	EIA RS-310C 19" 9U high rackmount enclosure		
	Coated metal plate outer covering		
	Guarded power switch and reset button		
Form Factor	6U CompactPCI®		
CompactPCI® Standards	2.0 R3.0, 2.1 R2.0, 2.9 R1.0, 2.11 R1.0, 2.16 R1.0		
Backplane		cBP-6614A	
	cPCI Bus	None	
	System Slot	12 (All node slots act as system slot)	
	2.16 Node Slot	12 (All node slots act as system slot)	
	2.16 Fabric Slot	Two	
	CMM slot	One	
	Rear I/O	All slots support P3, P4, P5 rear I/O with AB-type shroud	
	V (I/O)	3.3 V or 5 V(default) selectable	
Power Supply	AC Input, one ATX connector, DC screw terminals		
	Supports current sharing on 5 V, 3.3 V, and 12 V		
	PICMG® 2.11 47-pin power interface		
	Available power module: cPS-H640/AC x 3 (400 W x 3 redundant)		
		Max. Load	Min. Load
	+5 V	150.0 A	6 A
+3.3 V	120.0 A	N/A	
+12 V	45.0 A	N/A	
-12 V	15.0 A	N/A	
Alarm Module	Basic Alarm Module	Monitors inner chassis temperature, voltage and fan status	
		Abnormal status will generate alarm and LED warning Alarm reset	
Drive Bay	None		
Cooling System	Five fans for front-access intake	Rated speed for each fan: 4000 ± 500 RPM Rated power for each fan: 2.64 W Maximum Air Flow: 48.2 CFM	
	Five fans for front-access ventilation	Rated speed for each fan: 4000 ± 500 RPM Rated power for each fan: 2.64 W Maximum Air Flow: 48.2 CFM	
Physical	Dimensions	483.2 x 399 x 339.1 (mm, W x H x D, w/ handle)	
	Weight	23 kg/50.7 lbs (including redundant power supply and backplane only)	
Operating Temp.	0°C to 55°C (depending on system configurations)		
Storage Temp.	-20°C to 80°C		
Humidity	5% to 95%, non-condensed		
Shock	15 G peak-to-peak, 11 ms duration, non-operation		
Vibration	Non-operation: 1.88 Grms, 5-500 Hz, each axis		
	Operation: 0.5 Grms, 5-500 Hz, each axis, tested with 2.5" HDD		
NEBS	Design for NEBS Level 3		

Ordering Information

cPCIS-3300BLS/AC	9U cPCI Blade Server Sub-system with basic alarm board, pre-installed 400 W Universal AC input PSU x 3
------------------	--

Note: All models above DO NOT include any node or fabric boards.

Recommended Configurations

CPU Board	Rear I/O Board
cPCI-6860A	cPCI-R6860A, cPCI-R6860L
cPCI-6811AA	cPCI-R6820
cPCI-6820AA, cPCI-6820AB	cPCI-R6820
cPCI-6840, cPCI-6840V	cPCI-R6840, cPCI-R6841
cPCI-6910	cPCI-R6910

Fabric Switch Board	
CPC4416F-11671	24+2 GB TX Fabric Switch use (no RTM)
CPC6600-11604	24-port GB Switch TX use (no RTM)

Fabric Switch Rear I/O Board	
PT-RTM4411-11636	CPC4411 Embedded Ethernet Switch, PICMG® 2.16 compliant, w/ 5-Port 10/100 RTM, compatible with CPC3400F
RTM4416-11635	5-port 10/100+2 GB TX RTM, single slot
RTM6600-11641	5-port 10/100/1000 RTM
RTM6600-11642	24-port 10/100/1000 RTM

1
AdvancedTCA
Products

2
6U cPCI
SBC

3
6U cPCI
Platforms

4
3U cPCI
SBC

5
3U cPCI
Platforms

6
SBC & IMB

7
Industrial
Chassis

8
Computer
On Modules

9
Network
Security
Appliances

10
Panel PC

11
IPC
Accessories