

ALS-3104B Series

Rackmount Network Security Platform with Four Rear Ethernet Ports



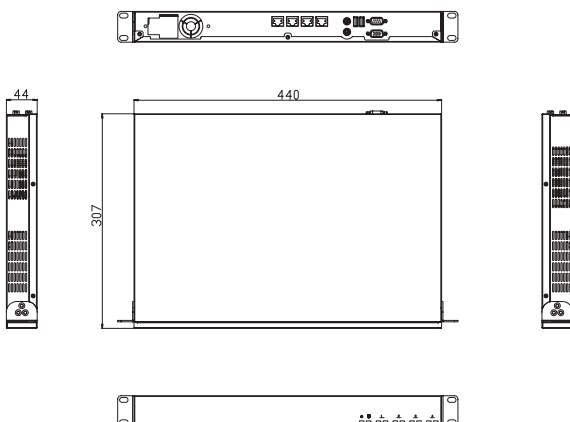
The ALS-3104B is a powerful rackmount Internet security platform specifically designed for Internet secure connectivity. Equipped with the Intel® Pentium® M processor, it provides high performance and meets the requirements of Internet security appliances. The system supports CompactFlash® for OS and Internet security applications. In addition, the ALS-3104B can support system memory up to 1GB DDR memory. The ALS-3104B offers four 10/100 Mbps LAN ports in the rear panel (ALS-3104GB offers four 10/100/1000 Mbps LAN ports) For easy access, the rear panel has a 9-pin, RS-232 serial port for local system management, maintenance and diagnostics. The ALS-3104B provides optional 3.5" IDE HDD. It is FCC and CE compliant.

Features

- Internet security platform for ROBO, SOHO and SMB
- Intel® Pentium® M 1.6 GHz Processor with 1 MB L2 cache
- Intel® Celeron® M 1.3 GHz Processor with 512 KB L2 cache
- Four Fast/Gigabit LAN ports
- Bypass capability when system power-off or software halt
- Software programmable bypass control
- Programmable watchdog timer, WDT status read-back
- Intel® Boot Agent BIOS

Dimensions

Units: mm



Specifications

Processor System	CPU	Intel® Pentium® M	Intel® Celeron® M
	FSB	1.6 GHz	1.3 GHz
	L2 Cache	1 MB	512 MB
	Chipset	Intel® 855GME / 852GM + ICH4	
	BIOS	Phoenix® Award 4 Mb Flash	
Memory	Technology	DDR-SDRAM 266/333	
	Max. Capacity	1 GB	
	Socket	One 184-pin DIMM	
Ethernet	Interface	10/100/1000 Base-TX	
	Controller	One Intel® 82562EZ, three Intel® 82551ER or four Intel® 82541PI (ALS-3104GB)	
	Connector	Four RJ-45	
	LAN Bypass	LAN port	3rd & 4th ports
Drive Bay	3.5" HDD	One	
Cooling	Fan	Two (10 CFM/each)	
Management	Console	One RS-232	
Miscellaneous	Power Switch	One	
	CompactFlash Socket	One (Secondary IDE)	
	VGA	One DB-15	
	USB	Two Type A	
	PS/2	Two	
	Power Requirement	Input	AC 100-240 V @ 50-60Hz, full range
Environment	Output	200 W AT	
	Operating	Non-Operating	
	Temperature	0 °C - 40 °C (32 - 104 °F)	-20 °C - 75 °C (-4 °F - 167 °F)
Physical	Humidity	5 °C - 85 % @ 40 °C (104 °F) 5 - 95 %	
	Dimensions	440 x 44 x 307 mm (W x H x D)	
	Weight	6 kg	

Ordering Information

Part Number	Processor	LAN	AC Adapter	DDR/AM	HDD Driver
ALS-3104B/PM1.6/512MB	P-M1.6 GHz	4 (with bypass)	200 W	512 MB	80 GB
ALS-3104B/CM1.3/512MB	C-M1.3 GHz	4 (with bypass)	200 W	512 MB	80 GB
ALS-3102/CM1.3/512MB	C-M1.3 GHz	2 (without bypass)	200 W	512 MB	80 GB
ALS-3104GB/PM1.6/512MB	P-M1.6 GHz	4 (with bypass)	200 W	512 MB	80 GB
ALS-3104GB/CM1.3/512MB	C-M1.3 GHz	4 (with bypass)	200 W	512 MB	80 GB